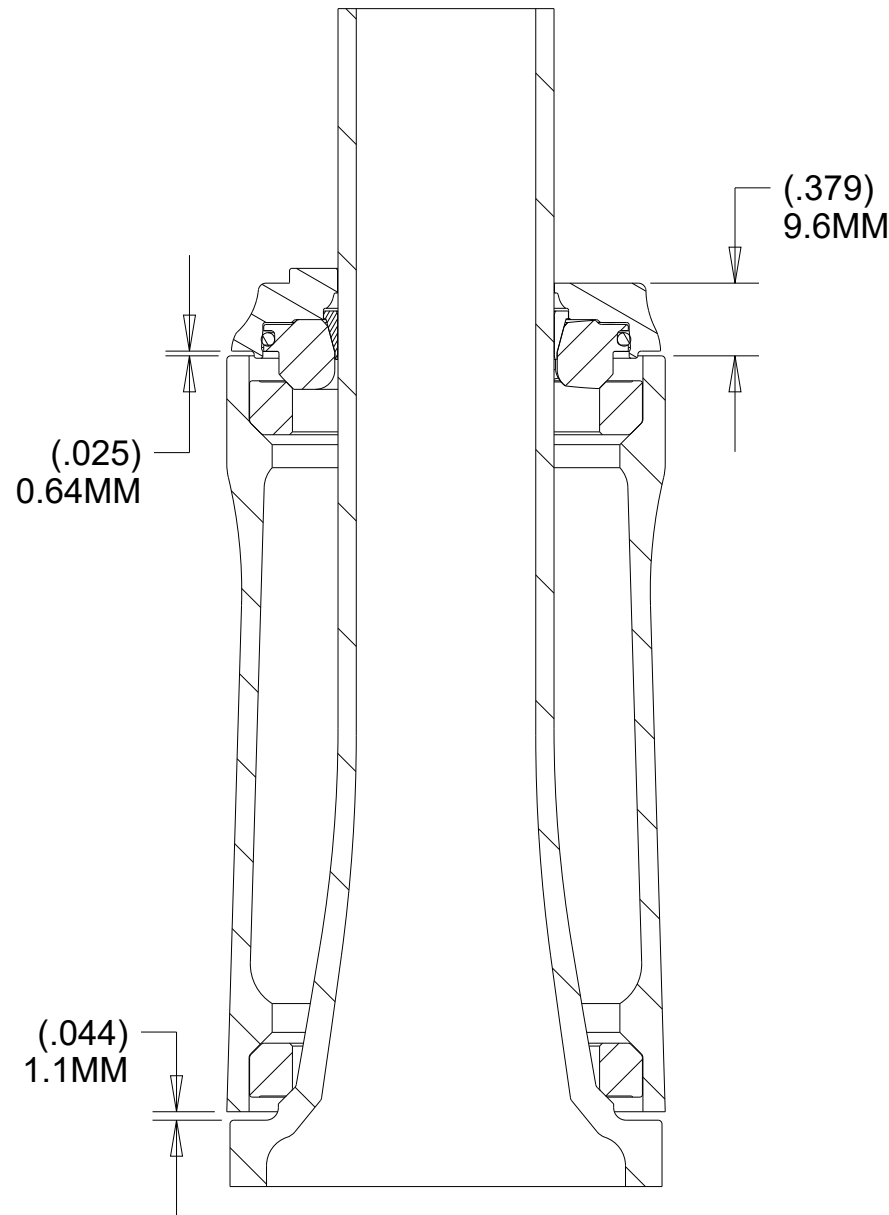
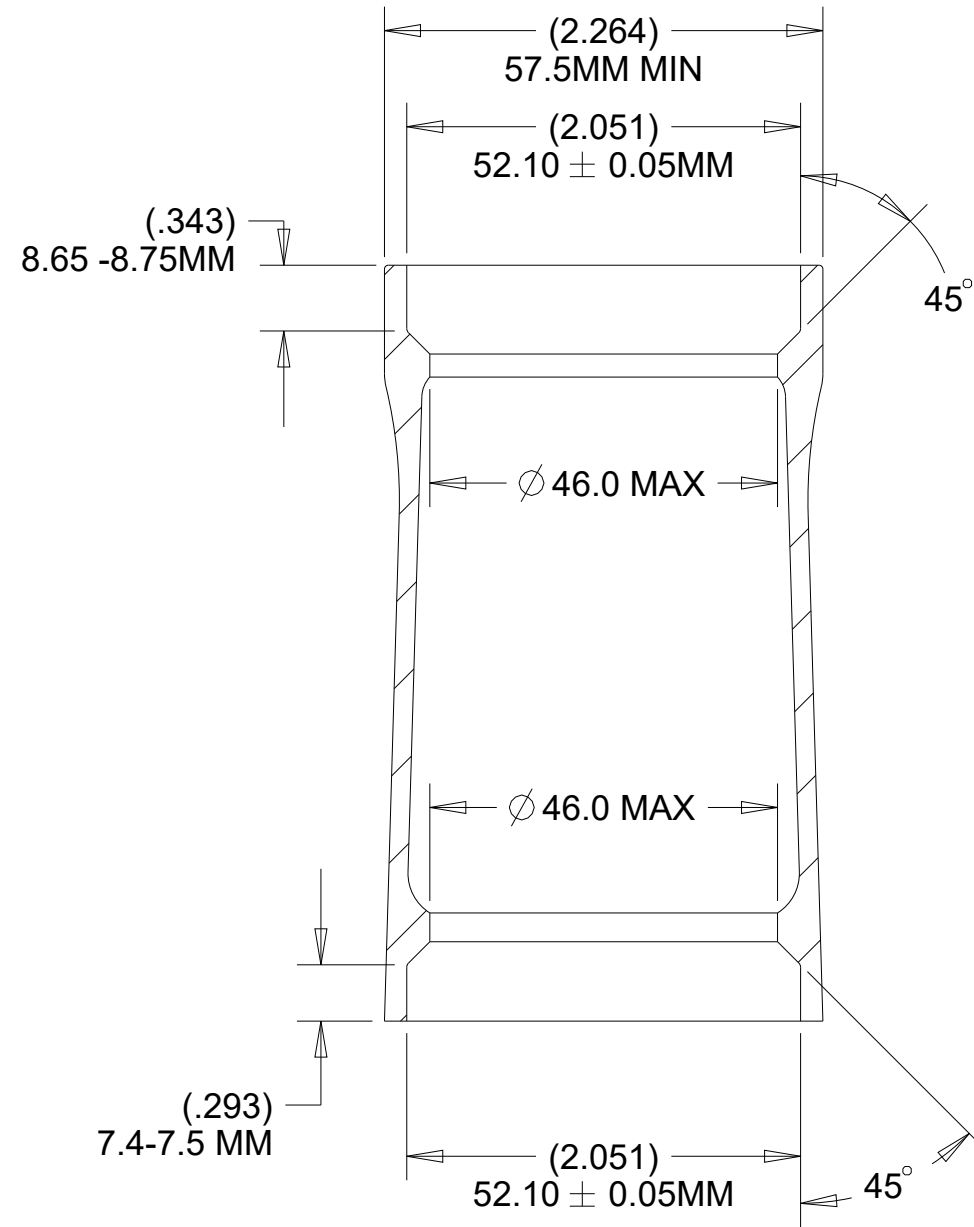


REVISIONS		
REV	DATE	CHANGES
X1	09/24/24	PUBLIC RELEASE



NOMINAL STACK-UP DIMENSIONS



HEADTUBE SPECIFICATIONS

<p>CHRIS KING PRECISION COMPONENTS®</p> <p>KING CYCLE GROUP 2801 NW NELA ST., PORTLAND, OR 97201 (503) 972-4050</p>	<p>UNLESS OTHERWISE SPECIFIED</p> <p>DIMENSIONS IN MM</p> <p>.X± 2.0 .XX± .30 .XXX± .10 63</p> <p>ANGLES ± 0° 30' EDGE BREAK .10/.30 INTERNAL RADII .10/.30 ALL DIAMETERS CONCENTRIC TO .10 T.I.R. REMOVE ALL BURRS</p>		<p>KING CYCLE GROUP</p> <p>ENGINEERING DRAWING</p>		
	<p>DRAWN PHIL N.</p> <p>CHECKED</p> <p>APPROVED</p> <p>RELEASED</p>	<p>DATE 09/24/24</p> <p>DATE</p> <p>DATE</p> <p>DATE</p>	<p>NAME AEROSOL 1 SPECIFICATIONS</p> <p>PART NUMBER N/A</p> <p>SCALE 1.000</p>	<p>REV X1</p>	<p>SHEET 1 of 1</p>
	<p>1</p>				